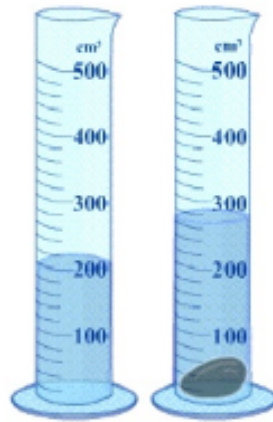
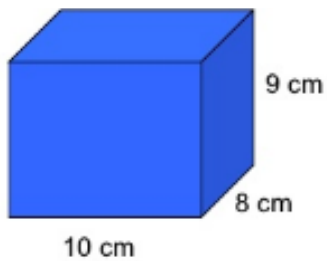




Physics: Required Practical 4



🍏 What is this required practical about?

.....

🍏 Recall the equation to calculate density.

.....

🍏 What piece of equipment is used to measure length?

.....

🍏 What piece of equipment is used to measure area?

.....

🍏 What piece of equipment is used to measure mass?

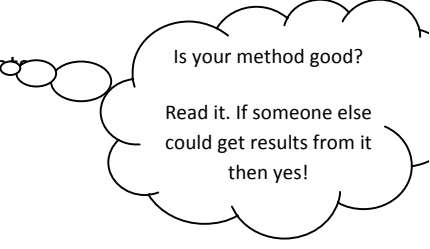
.....

🍏 What piece of equipment is used to measure volume?

.....

- 🍏 Look at the blue cube. Write a method to calculate the density of this **regular** shaped object. Remember you might need an additional bit of equipment.

Write a logical and comprehensive method, using numbered bullet points.

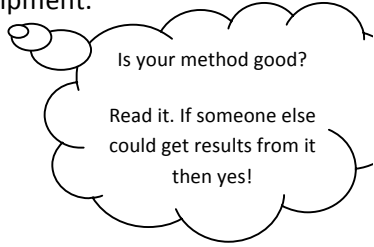


Is your method good?

Read it. If someone else could get results from it then yes!

- 🍏 Look at the pebble in the measuring cylinder. Write a method to calculate the density of this **irregular** shaped object. Remember you might need an additional bit of equipment.

Write a logical and comprehensive method, using numbered bullet points.



Is your method good?

Read it. If someone else could get results from it then yes!

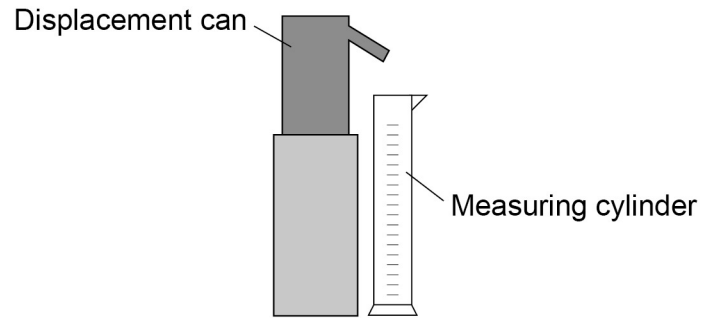
- An alternative method to calculate the density of an **irregular** object is depicted below. Briefly outline how this method works.

.....

.....

.....

.....



- Outline how to find the density of a liquid.

.....

.....

.....

.....

- Find the area of the objects below:

